

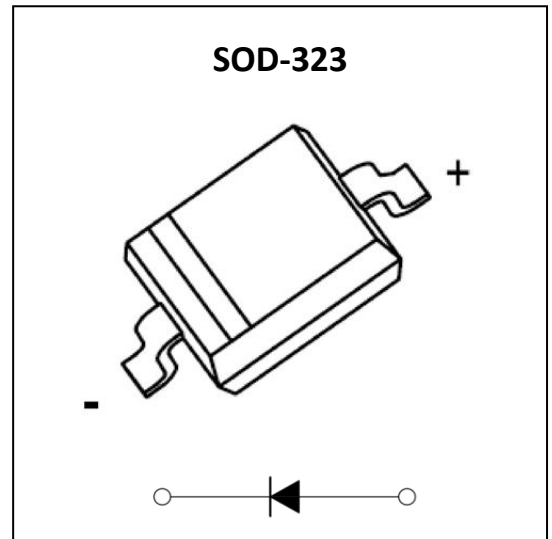


SD101AWS Schottky Barrier Diode

Feature

- Low Forward Voltage Drop
- Low VF
- Low IR
- High Reliability

MARKING: S1



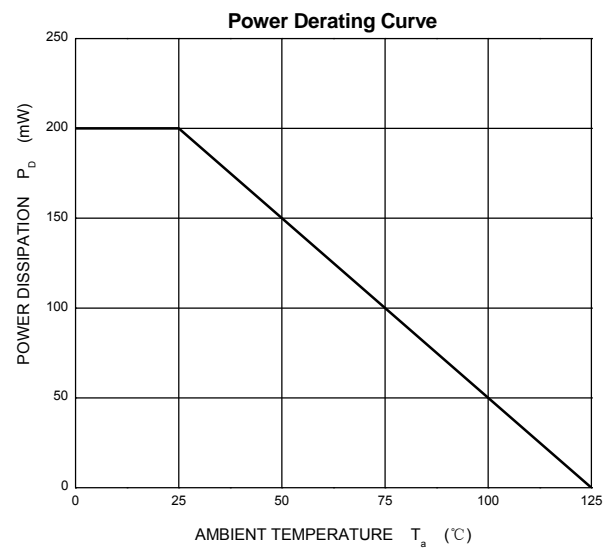
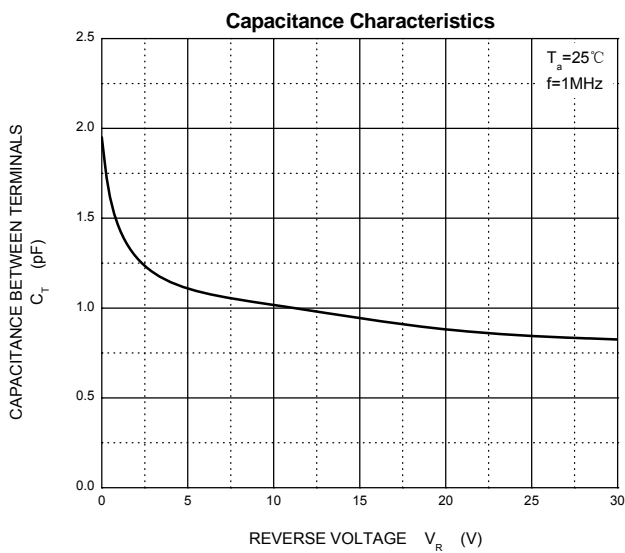
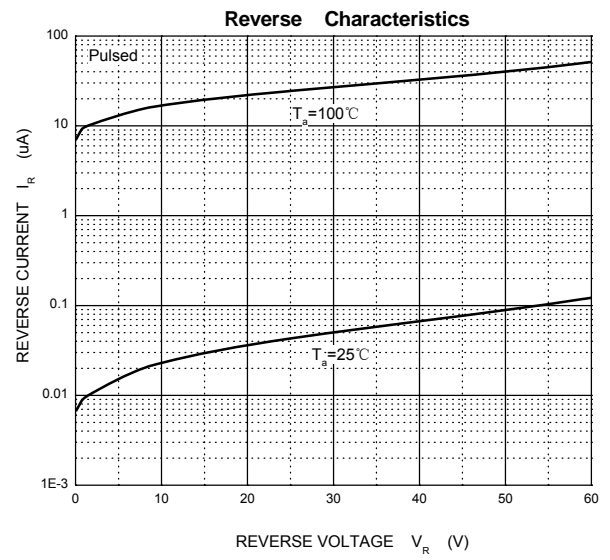
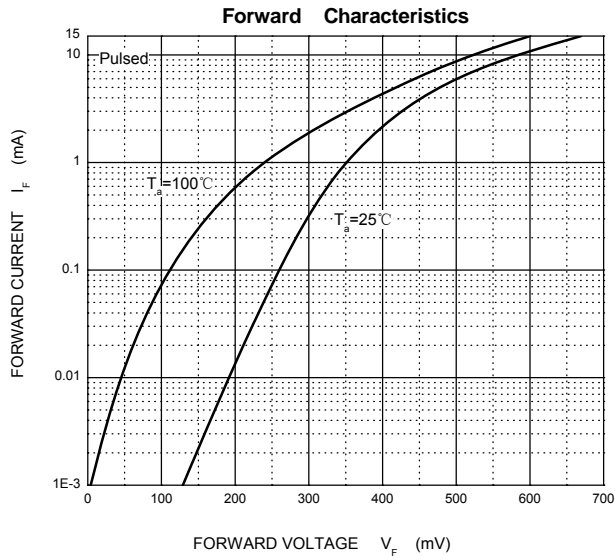
ABSOLUTE MAXIMUM RATINGS (T_a=25°C unless otherwise noted)

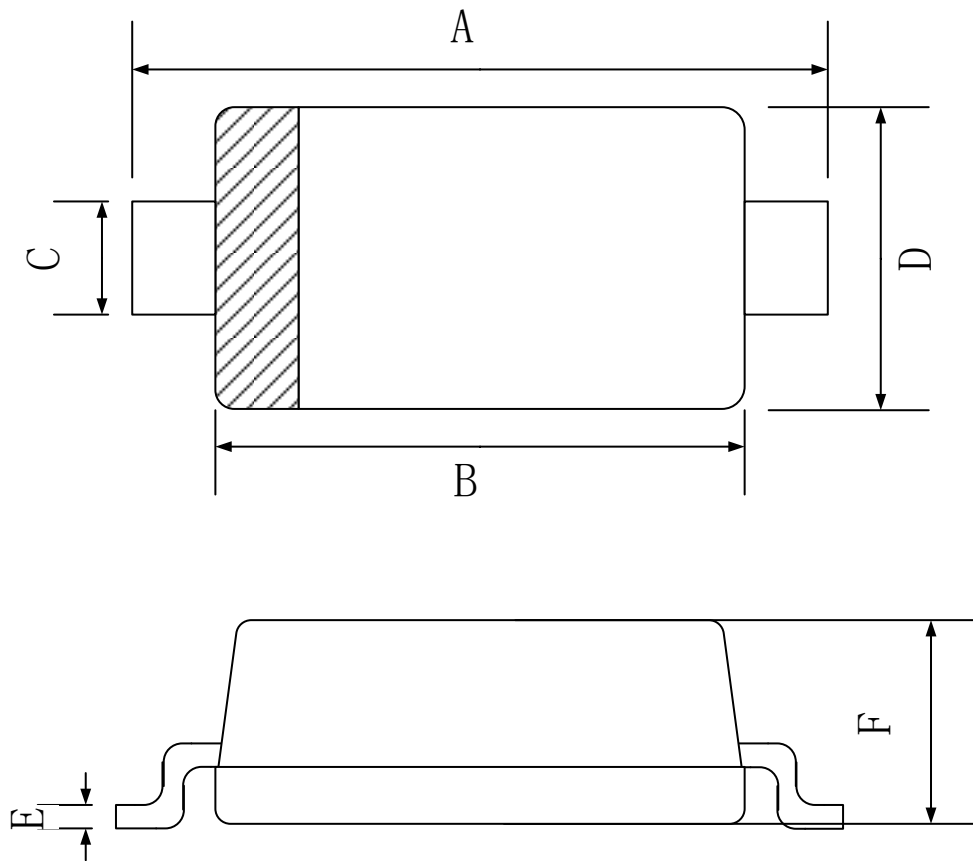
Parameter	Symbol	Value	Unit
DC Reverse Voltage	V _R	60	V
RMS Reverse Voltage	V _{R(RMS)}	42	V
Forward Continuous Current	I _{FM}	15	mA
Non-repetitive Peak Forward Surge Current @ t=8.3ms	I _{FSM}	2	A
Power Dissipation	P _D	0.2	W
Thermal Resistance from Junction to Ambient	R _{θJA}	500	°C/W
Operating Junction Temperature Range	T _J	-40~+125	°C
Storage Temperature	T _{STG}	-55 ~ +150	°C

ELECTRICAL CHARACTERISTICS (T_a=25°C unless otherwise noted)

Parameter	Symbol	Test Condition	Min	Typ	Max	Unit
Reverse voltage	V _{BR}	I _R =10μA	60			V
Forward voltage	V _F	I _F =1mA			0.41	V
		I _F =15mA			1	V
Reverse current	I _R	V _R =50V			0.2	μA
Capacitance between terminals	C _T	V _R =0, f=1MHz			2	pF
Reverse recovery time	T _{rr}	I _F =I _R =5mA, I _{RR} =0.1*I _R , R _L =100Ω			1	ns

Typical Characteristics



SOD-323 Package Outline Dimensions


Symbol	Dimensions In Millimeters		
	Min.	Typ.	Max.
A	2.30	2.50	2.70
B	1.60	1.70	1.90
C	0.25	0.325	0.40
D	1.15	1.25	1.35
E	0.089	0.095	0.101
F	0.80	0.90	1.00