



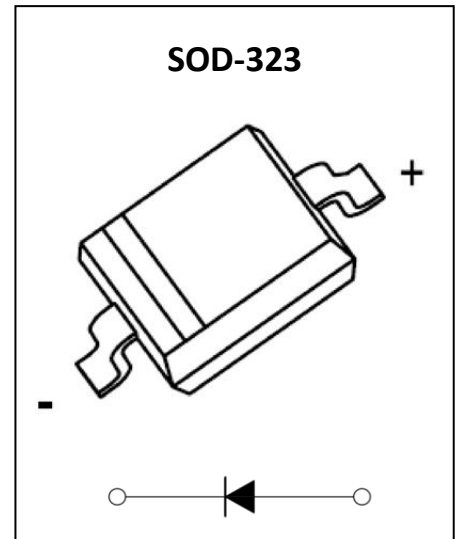
**RB751V-40 Schottky Barrier Diode**

**Feature**

- Small Power Mold Type
- Low VF
- Low IR
- High Reliability

**Application**

- High Frequency Inverters
- Free Wheeling
- Polarity Protection Applications



**MARKING:**



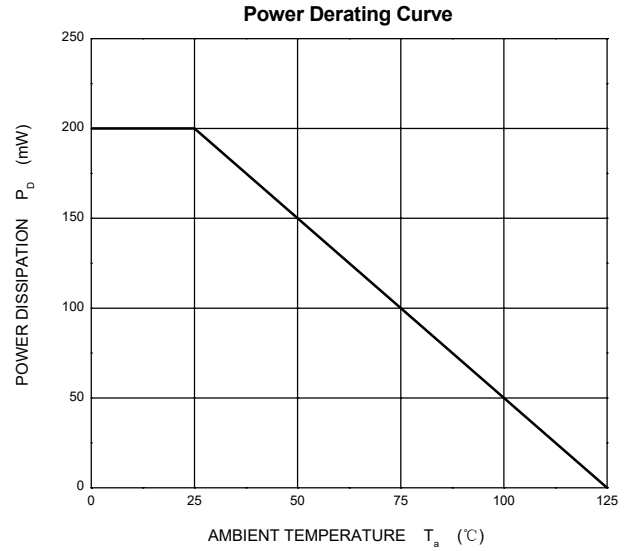
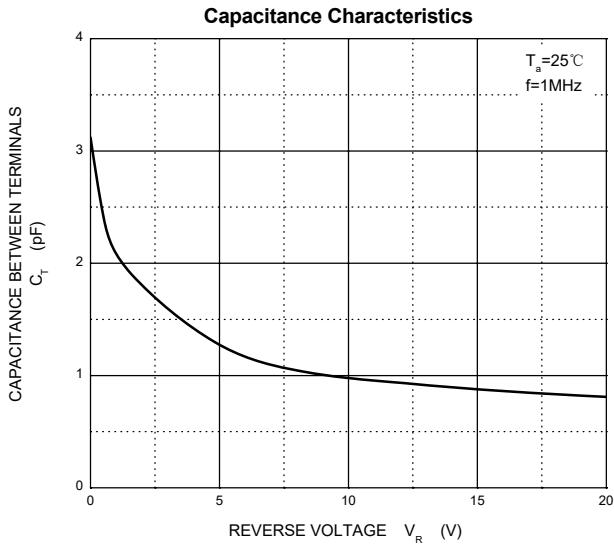
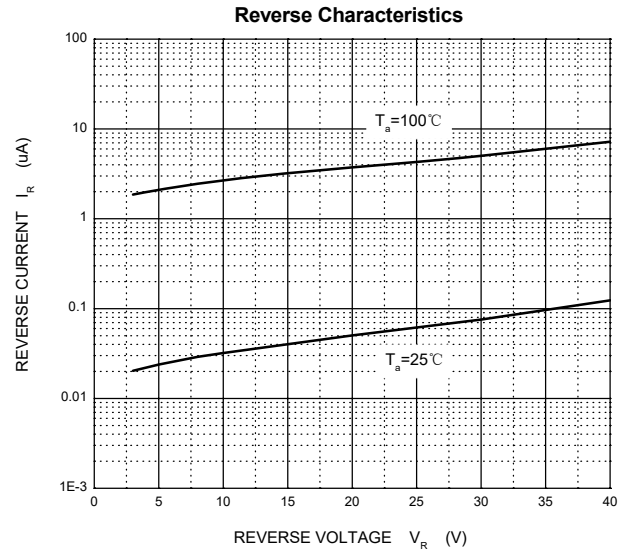
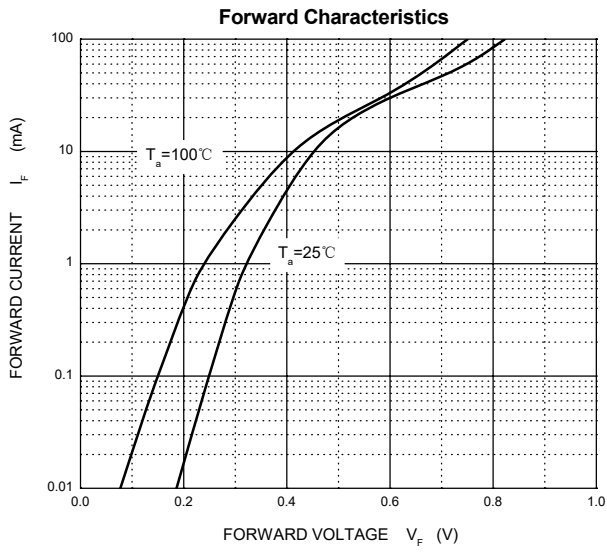
**ABSOLUTE MAXIMUM RATINGS (T<sub>a</sub>=25°C unless otherwise noted)**

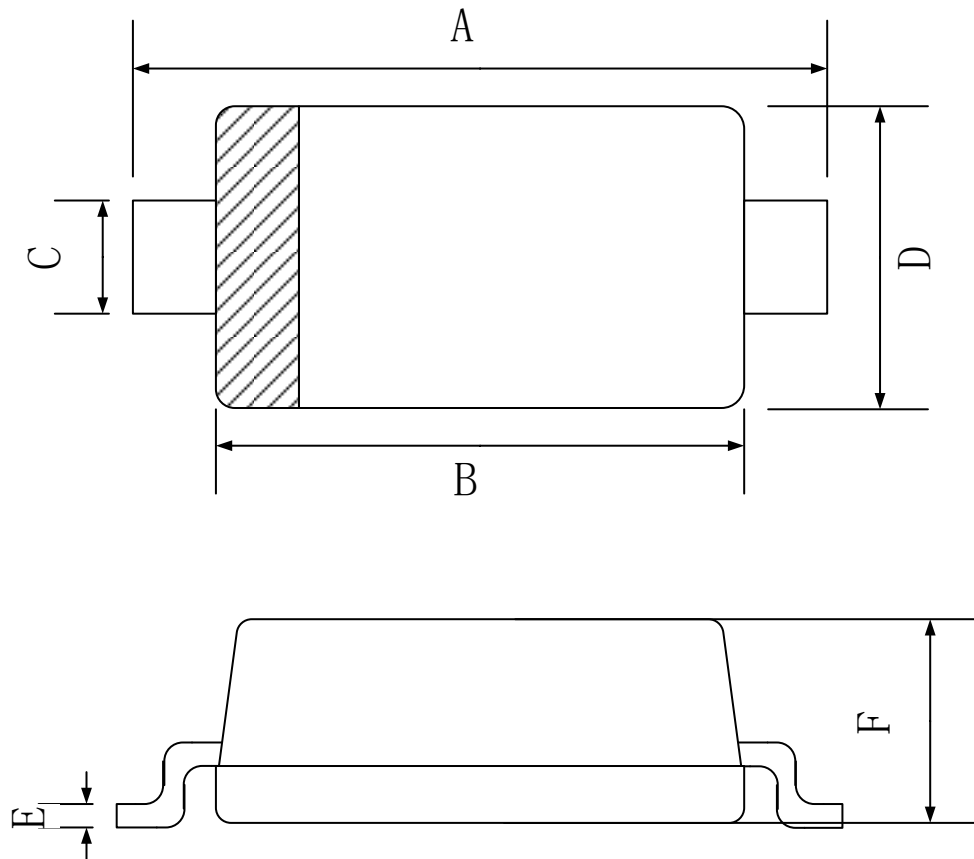
Parameter	Symbol	Value	Unit
DC reverse voltage	V <sub>R</sub>	40	V
Mean rectifying current	I <sub>O</sub>	30	mA
Non-repetitive Peak Forward Surge Current @ t=8.3ms	I <sub>FSM</sub>	200	mA
Power Dissipation	P <sub>D</sub>	0.2	W
Thermal Resistance from Junction to Ambient	R <sub>θJA</sub>	500	°C/W
Operating Junction Temperature Range	T <sub>J</sub>	-40~125	°C
Storage Temperature Range	T <sub>STG</sub>	-55 ~ +150	°C

**ELECTRICAL CHARACTERISTICS (T<sub>a</sub>=25°C unless otherwise noted)**

Parameter	Symbol	Test Condition	Min	Type	Max	Unit
Reverse voltage	V <sub>BR</sub>	I <sub>R</sub> =100uA	40			V
Forward voltage	V <sub>F</sub>	I <sub>F</sub> =1mA			0.37	V
Reverse current	I <sub>R</sub>	V <sub>R</sub> =30V			0.5	μA
Capacitance between terminals	C <sub>T</sub>	V <sub>R</sub> =1V,f=1MHZ		2		pF

**Typical Characteristics**



**SOD-323 Package Outline Dimensions**


Symbol	Dimensions In Millimeters		
	Min.	Typ.	Max.
A	2.30	2.50	2.70
B	1.60	1.70	1.90
C	0.25	0.325	0.40
D	1.15	1.25	1.35
E	0.089	0.095	0.101
F	0.80	0.90	1.00